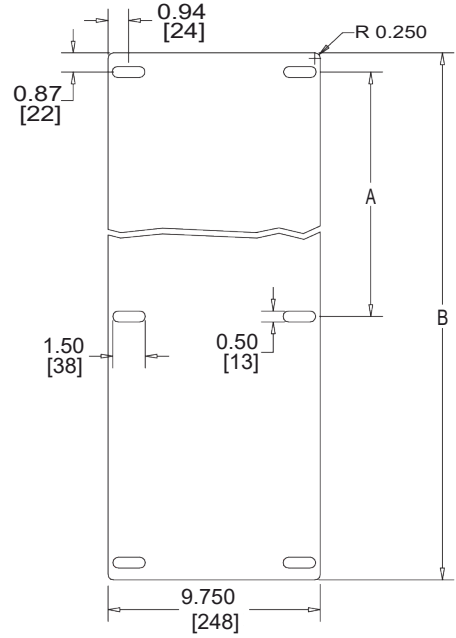
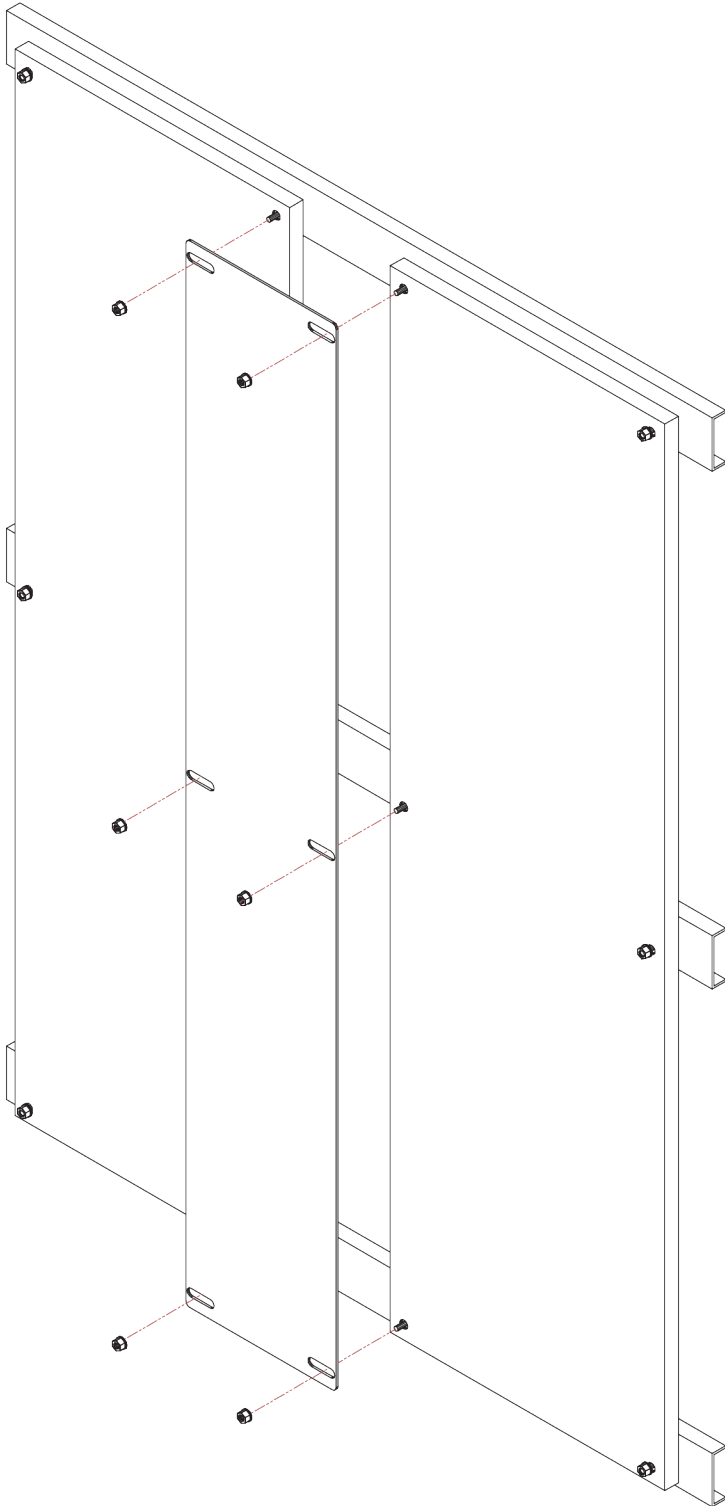


# SCE FILLER PLATES



	WHEN ENC. HEIGHT IS 72.00 [1829] PART # SCE-72FP	WHEN ENC. HEIGHT IS 84.00 [2134] PART # SCE-84FP	WHEN ENC. HEIGHT IS 90.00 [2286] PART # SCE-90FP
A	29.13 [740]	35.13 [892]	38.13 [968]
B	59.688 [1516]	71.688 [1821]	77.688 [1973]

NOTE:  
PARTS ARE MADE OF 0.125 [3] H.R.S.

