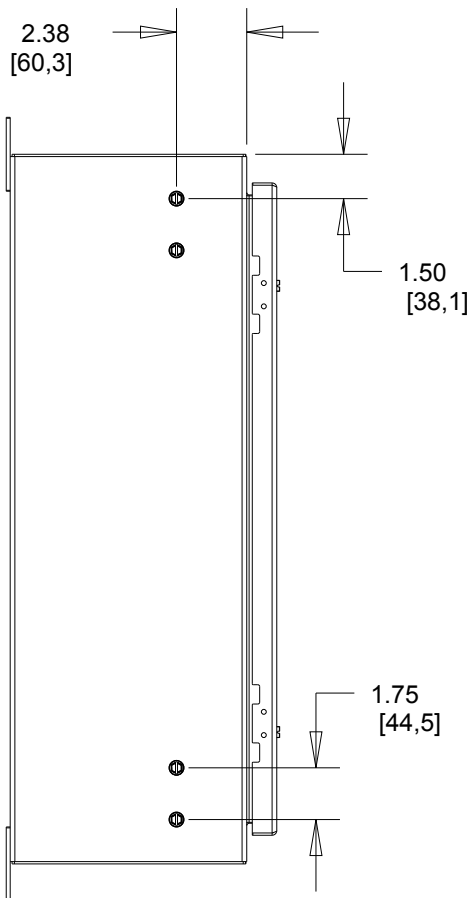
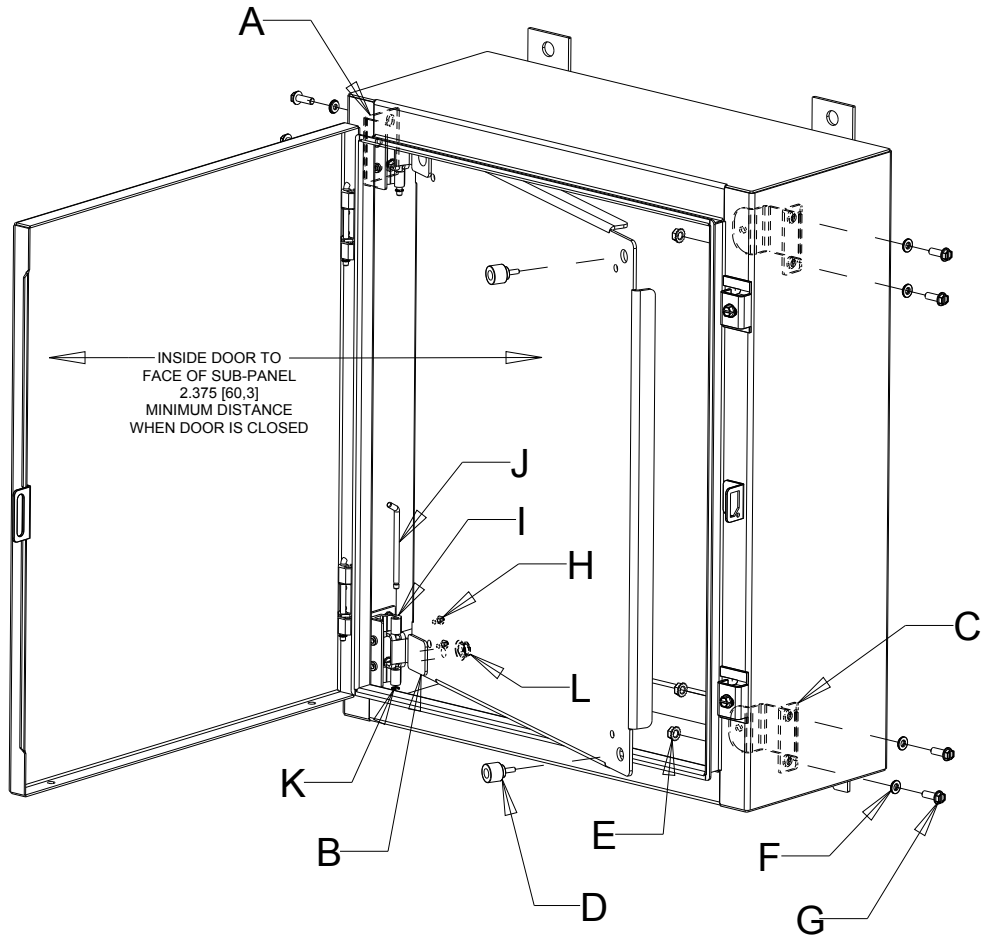
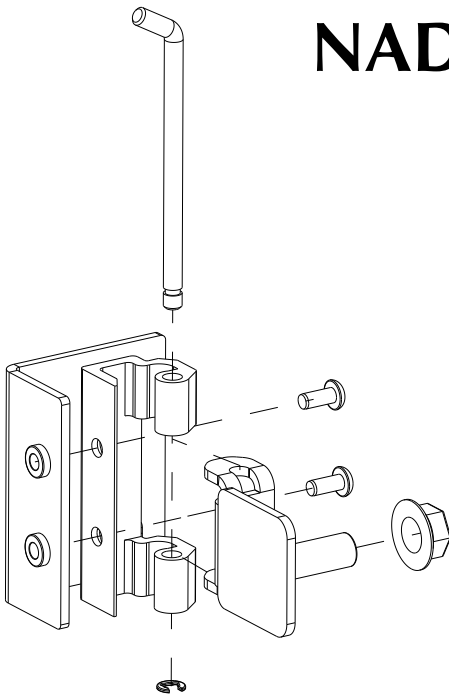


NADFK Swing Panel Assembly for LP Enclosures



**TYPICAL FOR BOTH
SIDES OF ENCLOSURE**

L	3/8-16 FLANGED NUT 100904
K	HINGE RETAINING CLIP 101670
J	HINGE PIN 101376
I	CONCEALED HINGE 101376
H	10-32 TORX SCREW 102483
G	1/4-20 SCREW 102522
F	1/4-20 SEALING WASHER 102152
E	1/4-20 KEPS NUT 100877
D	KNURLED KNOB SCREW 102723
C	CATCH BRACKET
B	HINGE BRACKET B
A	HINGE BRACKET A
INDEX	NAME

SCE BILL OF MATERIAL



**SAGINAW CONTROL
AND ENGINEERING**

95 Midland Road
Saginaw, Michigan 48638
Phone: (989) 799-6871
Fax: (989) 799-4524
Email: sc@saginawcontrol.com

PART#

SCE-NADFK