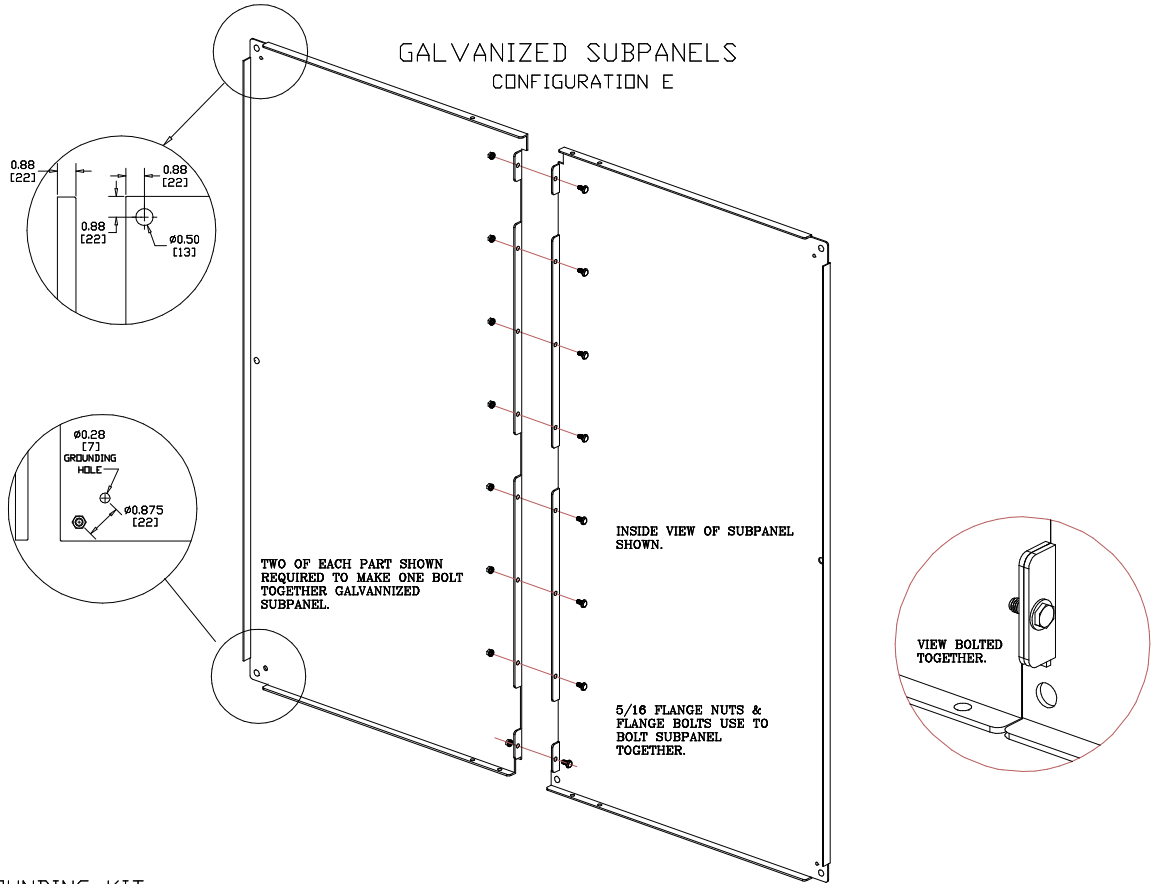
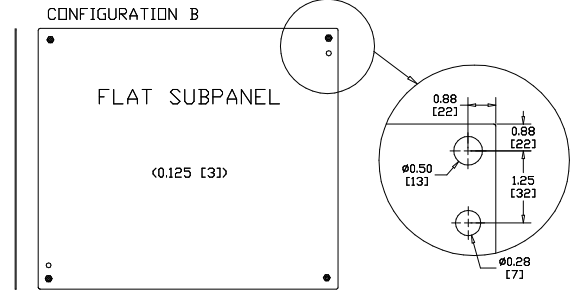
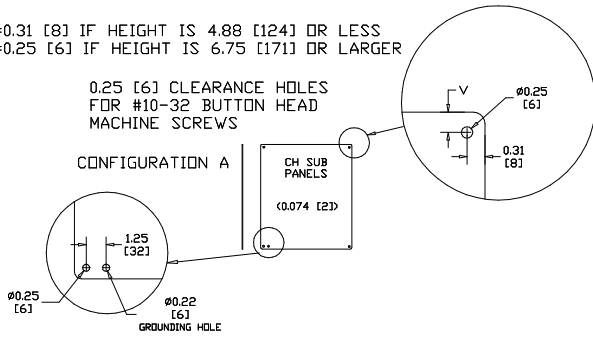


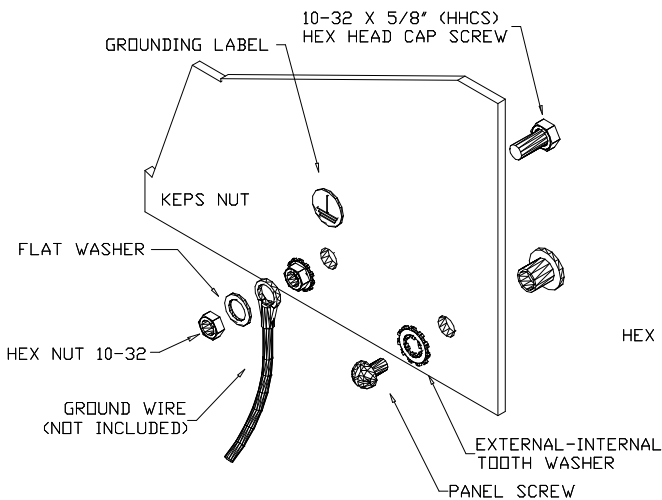
# GALVANIZED SUBPANEL DETAILS AND GROUNDING

V=0.31 [8] IF HEIGHT IS 4.88 [124] OR LESS  
 V=0.25 [6] IF HEIGHT IS 6.75 [171] OR LARGER

0.25 [6] CLEARANCE HOLES  
 FOR #10-32 BUTTON HEAD  
 MACHINE SCREWS



GROUNDING KIT WITH 10-32



GROUNDING KIT WITH 3/8-16

