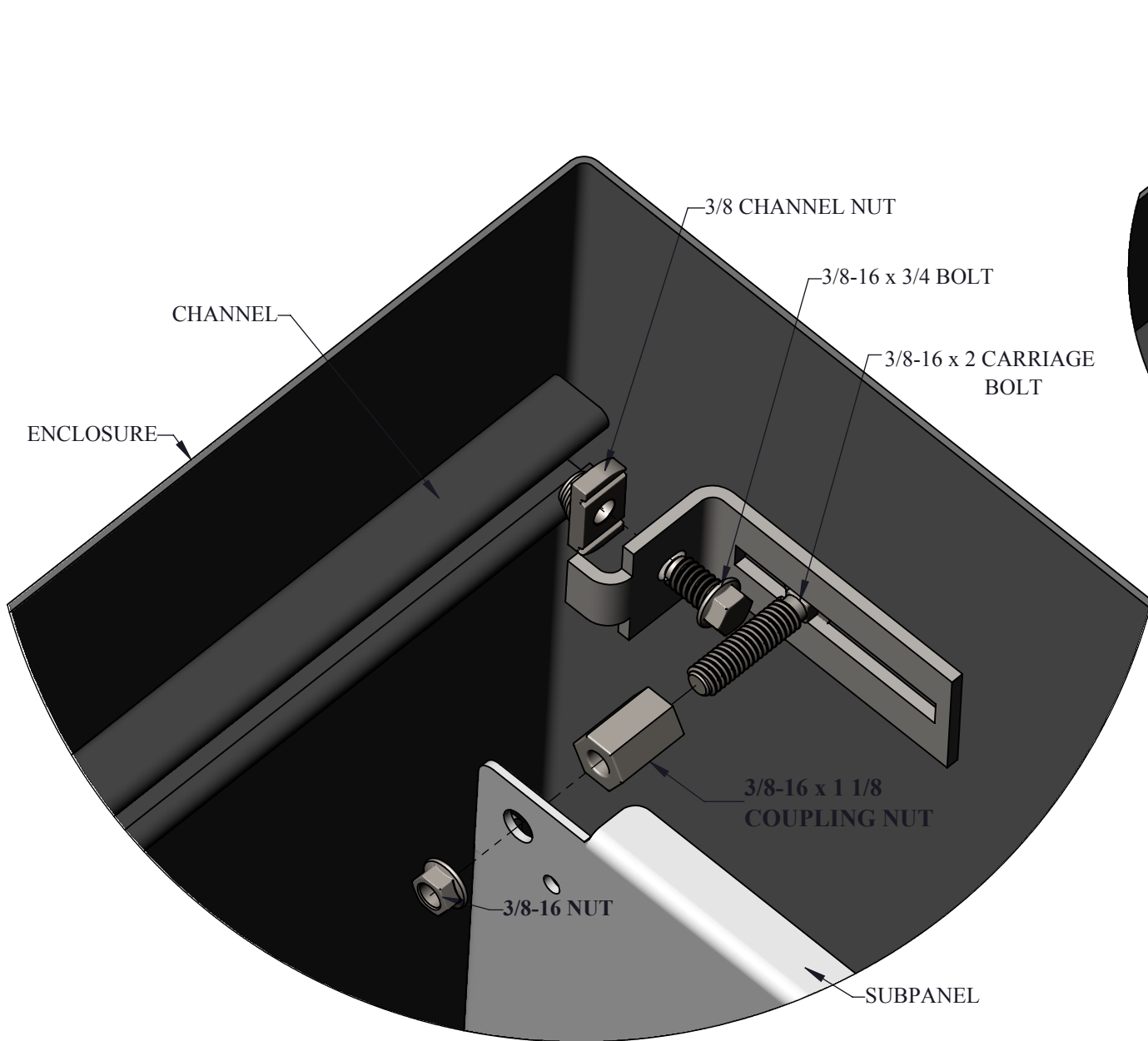
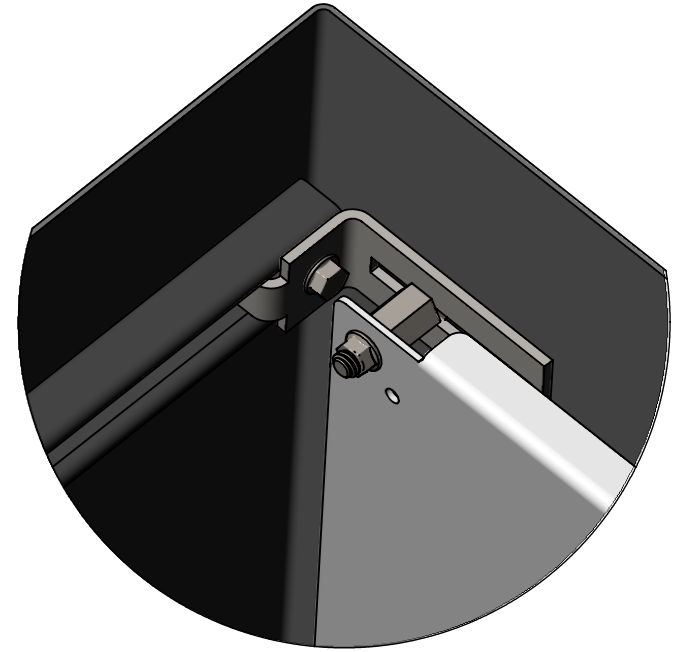


# INDIVIDUAL PANEL SUPPORTS



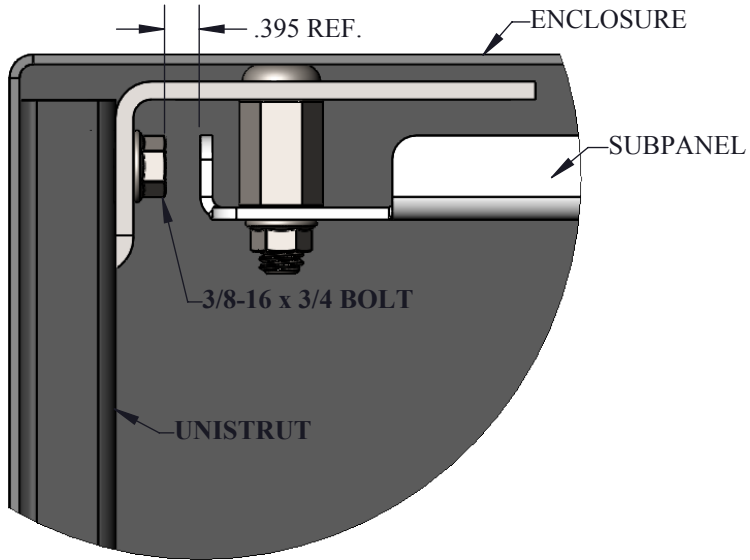
EXPLODED ISO  
VIEW



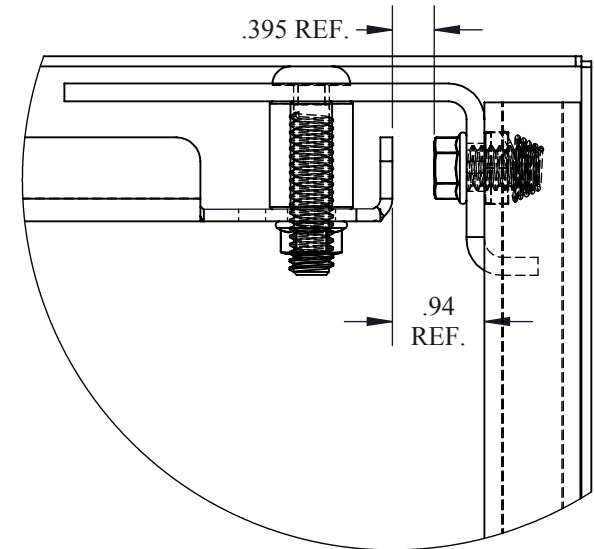
ISO VIEW

SCE-FSPS4  
SCE-FSPS6  
SCE-FSPS8

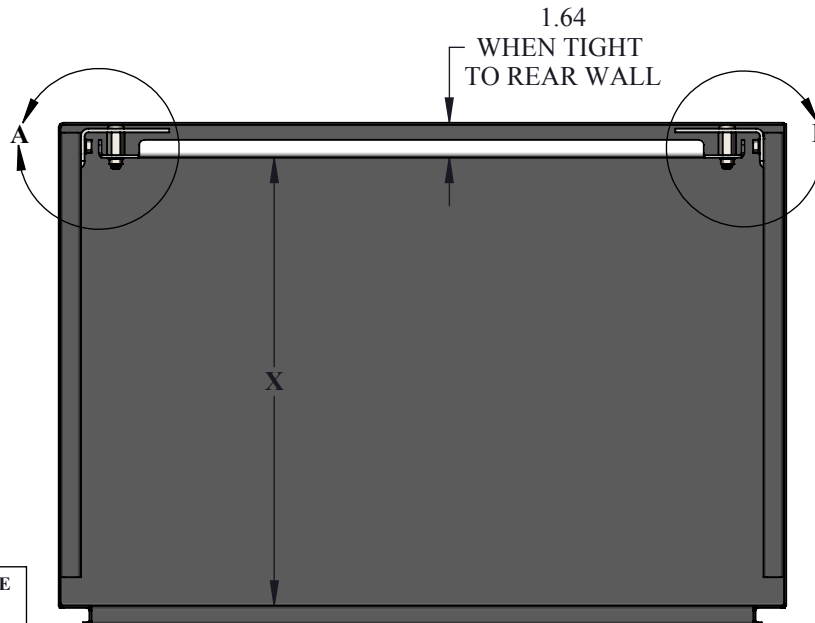
# INDIVIDUAL PANEL SUPPORTS



**DETAIL A**



**DETAIL B**



ENCLOSURE DEPTH	MAX. USABLE SPACE SINGLE-DOOR, NO BODY BRACE	MAX. USABLE SPACE TWO-DOOR, WITH BODY BRACE
18.00"	X = 16.36"	X = 15.62"
20.00"	X = 18.36"	X = 17.62"
24.00"	X = 22.36"	X = 21.62"
30.00"	X = 28.36"	X = 27.62"
36.00"	X = 34.36"	X = 33.62"