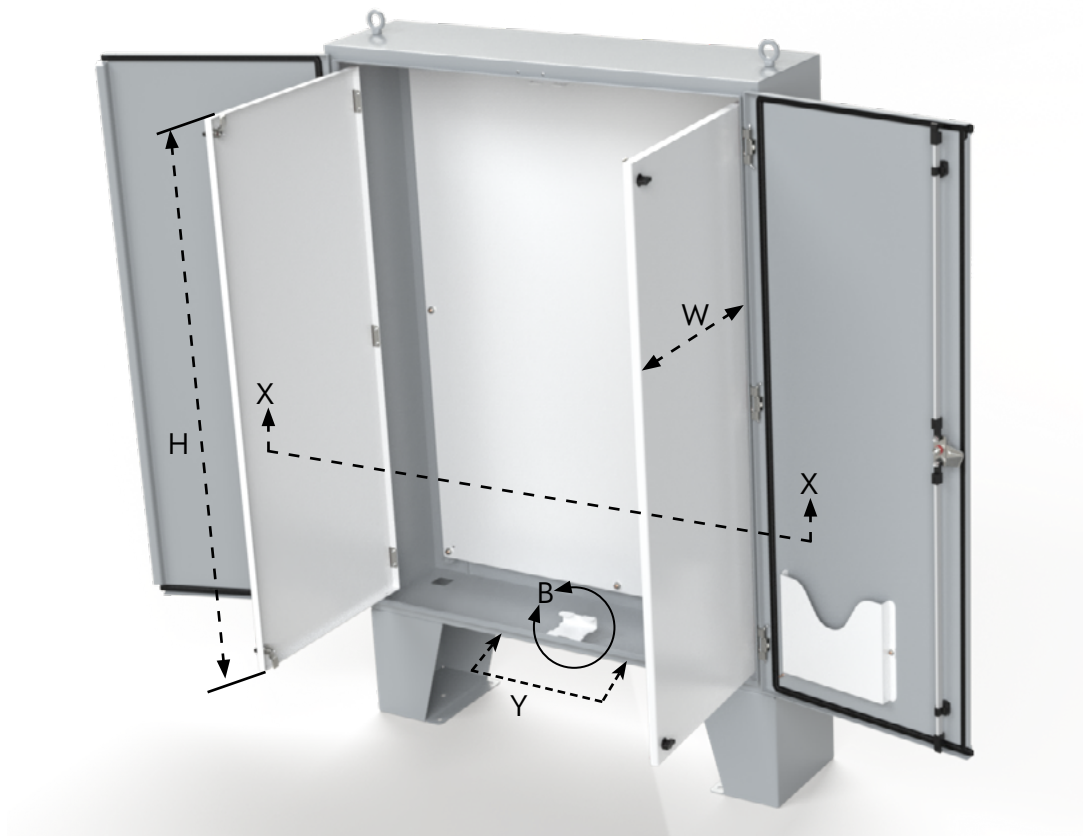
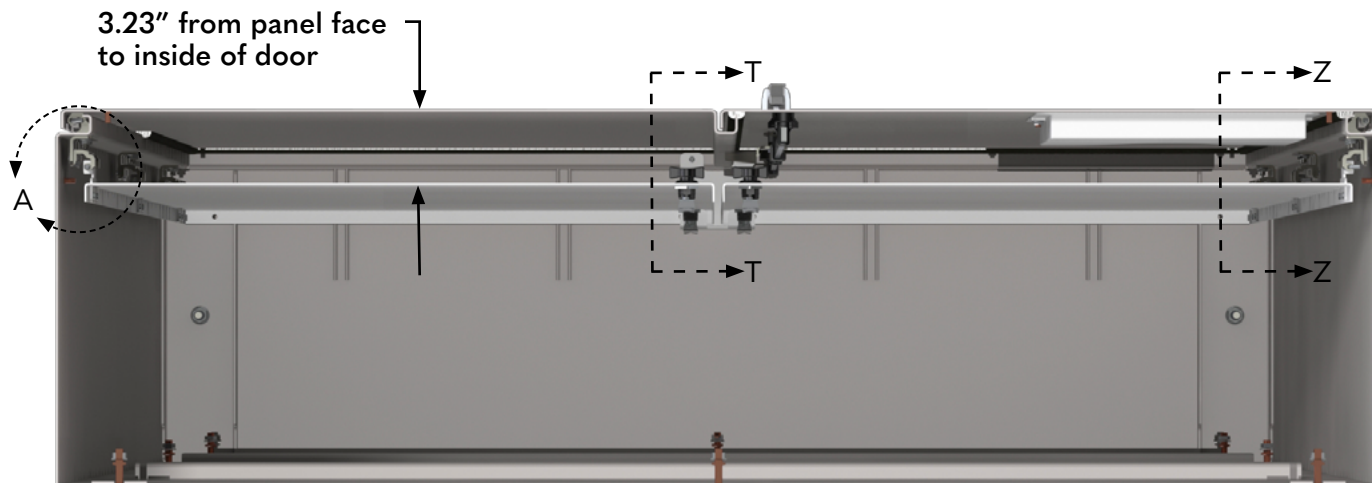


DEAD FRONT, OVERLAPPING DOORS WITH LARGE HINGE

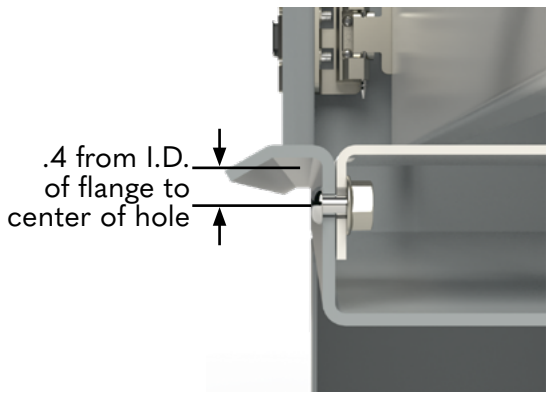


Dead Front panel size:
 $H = \text{Door opening height} - 1.50''$
 $W = (\text{Door opening width} / 2) + 0.13''$

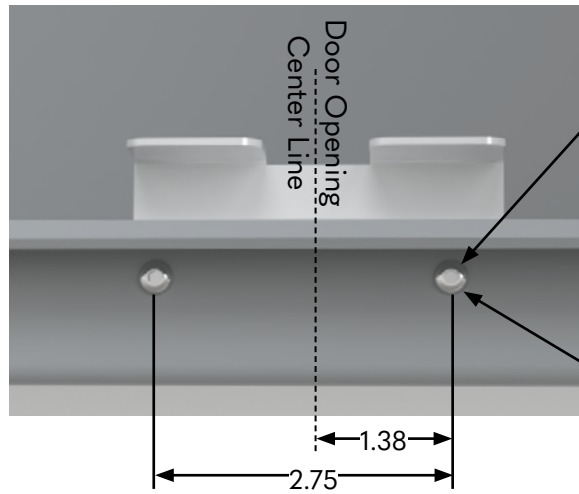
Includes bolt pack #128423



View shown with doors
 and dead front panels closed
 bottom view section X-X



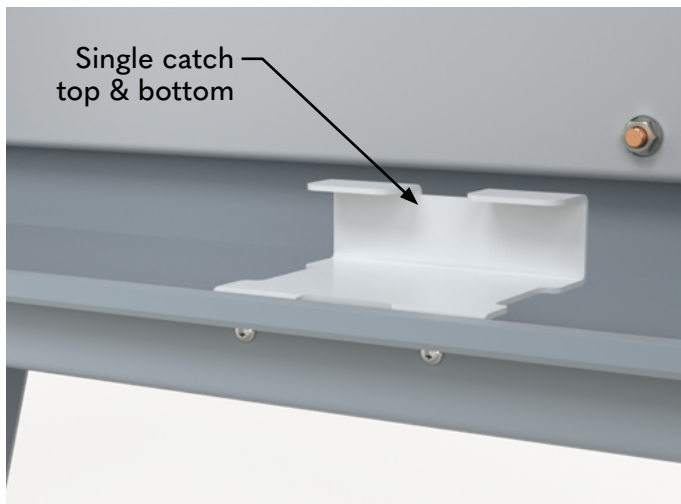
Section T-T



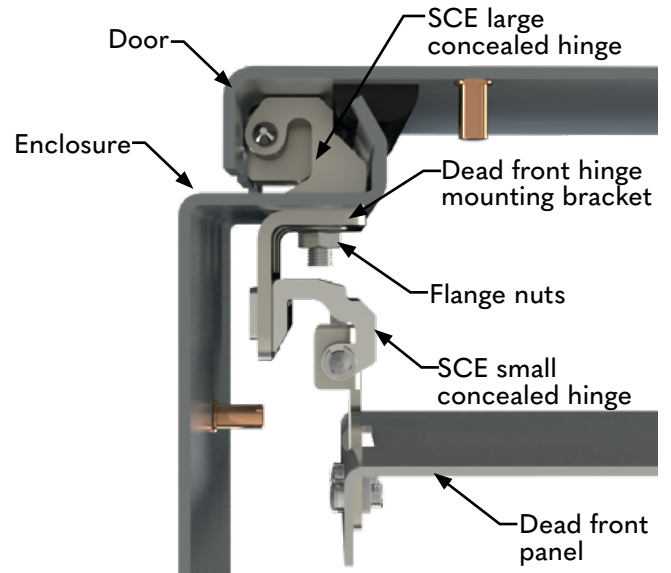
Section Y-Y

Drill $\varnothing.218$ hole for a 10-32 button head torx screw (2 per catch bracket)

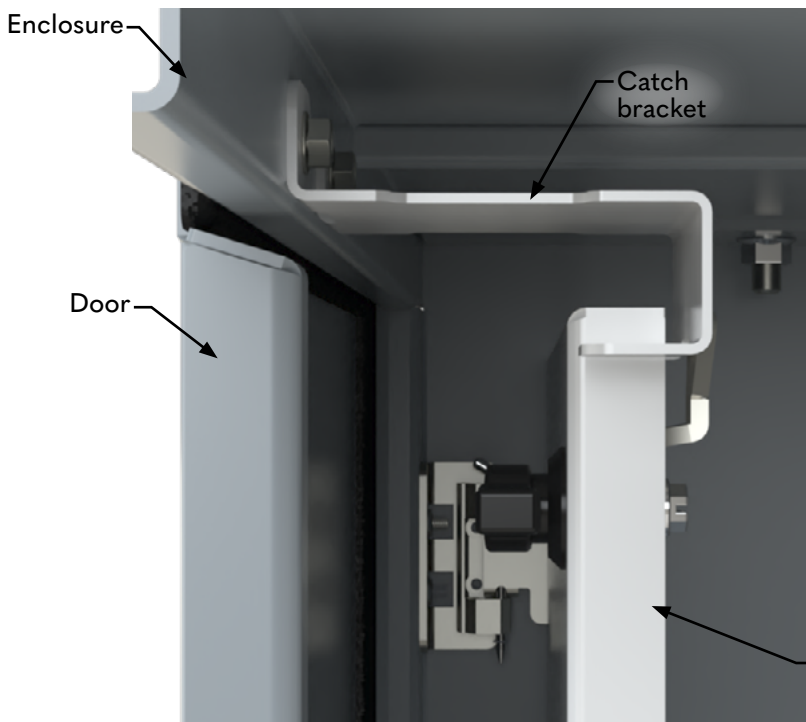
10-32 flange nuts (2 per catch)



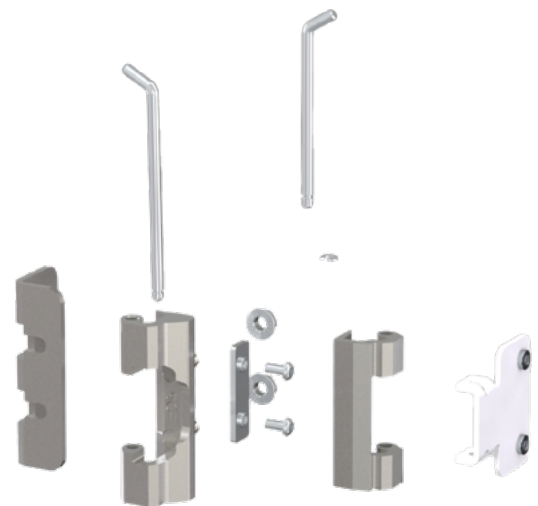
Section B



Detail A



Section Z-Z



Exploded dead front hinge detail