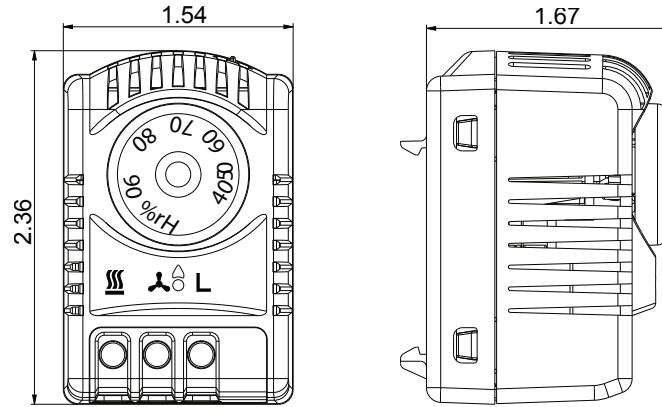


Hygrostat



Safety Information

This component must be installed/serviced by qualified personnel complying with the relevant safety regulations in force and in accordance with the wiring diagram shown in this manual. Ensure manuals are kept in a secure place accessible to servicing/installing personnel.

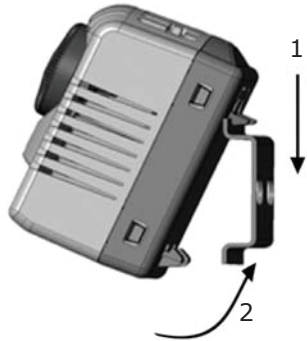
Application

The Hygrostat described herein has been specially devised for the control and supervision of the humidity that prevails in control cabinets and electrical enclosures. The Hygrostat can be installed on DIN EN 60715 compliant rails. It can be installed in any position

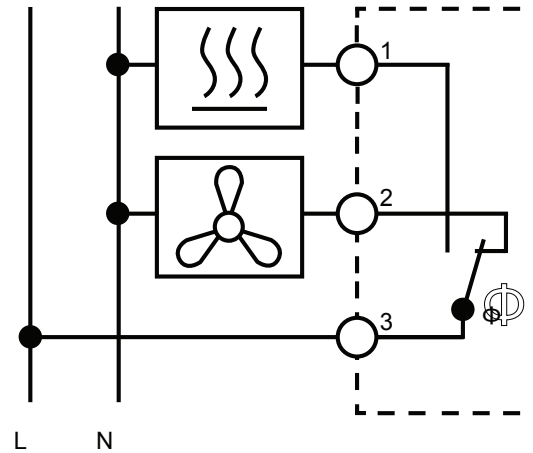
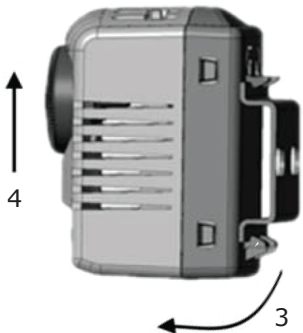
Functional Description

The control cabinet Hygrostat described here is a changeover contact type and can be used both for humidifying and dehumidifying. The setting of the switch point is effected manually.

1 + 2
Installation



3 + 4
Removal



| | |
|--|-------------|
| Control Range | 40 - 90% RH |
| Switching Difference | ~ 5% |
| Switching Point Fidelity (related to 50% RH) | ± 4% |
| Contact | Changeover |
| Max Admissible Air Moisture (non-condensing) | 95% RH |

| Switching Capacity | | |
|-----------------------|---------------|---|
| | Humidifying | 24 V - 230 V / 2 (.02) A, @24 V min. 100 mA |
| | Dehumidifying | 24 V - 230 V / 5 (.02) A, @24 V min. 100 mA |
| Sensor | | PA band, Type 1C |
| Degree of Pollution | | 2 |
| IP Protection | | IP 30 |
| Rated Impulse Voltage | | 4000 V |
| Weight | | ~50 g / ~1.76 oz. |

Operating Temperature: 32°F – 140°F

Storage Temperature: -4°F – 176°F

Connection: 0.5 – 2.5mm² / 14 – 20 AWG

Housing Material: Plastic UL94V-2