




LED Light Fixtures - Instruction Sheet - Stud Installation

Stud Installation Instructions - Page 1 Unistrut Installation Instructions- Page 2

1. Safety Instructions

-  Read this instruction sheet before installing the light fixture.
-  Only specialized personnel are allowed to install, maintain and clean the fixture.
-  The personnel must ensure that for the duration of the installation, maintenance and cleaning, the fixture is disconnected from the electrical supply.


2. Specifications

| Model | Voltage | Power | Hz | Lifespan | Luminous Flux | Max Amp Draw | Outlet Socket | L |
|---------------|-------------|-------|-------|------------|---------------|--------------|---------------|-----------|
| SCE-LF18 | 100-125 VAC | 10W | 50/60 | 35,000 hrs | 750Lm | .105 | Yes | 458 [18"] |
| SCE-LF18NO | 100-240 VAC | 10W | 50/60 | 35,000 hrs | 750Lm | .105 | No | 458 [18"] |
| SCE-LF24 | 100-125 VAC | 10W | 50/60 | 35,000 hrs | 900Lm | .105 | Yes | 611 [24"] |
| SCE-LF24NO | 100-240 VAC | 10W | 50/60 | 35,000 hrs | 900Lm | .105 | No | 611 [24"] |
| SCE-LF1824VDC | 24 VDC | 6W | ----- | 35,000 hrs | 500Lm | .300 | No | 458 [18"] |

3. Electrical Connections

Check the serial label before making any connections to the power supply to ensure that current and voltage ratings are met.



For convenience, the fixture has two power inlet/outlet terminal connectors. Power can be supplied to either of the two.

-  CAUTION: When one terminal connector is connected to the power supply the other will become LIVE. This allows connecting multiple light fixtures to each other in a daisy chain. The optional NEMA 5-15 outlet socket also becomes LIVE when either of the two terminal connectors is connected to the supply.

The electrical connections to the terminal connector for 100-240 VAC are as follows:


- 1 LIVE
-  Earth
- 3 Neutral

IMPORTANT NOTES:

-  When connecting multiple fixtures to each other and to the NEMA 5-15 socket it is important that the total current passing through the first light fixture (which supplies the others) **does not exceed 12A**.
-  The light fixture does not have an ON/OFF switch.
- The door switch only discontinues the power supply to the tube. All other connectors remain LIVE unless the power supply is disconnected (**even if the tube is off**).

4. Installation

The light fixture is to be mounted indoors in a horizontal position as shown in the picture below and is to be protected from the ingress of dust, water and corrosive agents. Only use the supplied mounting fasteners.

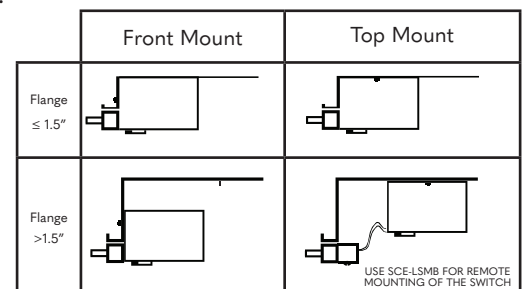
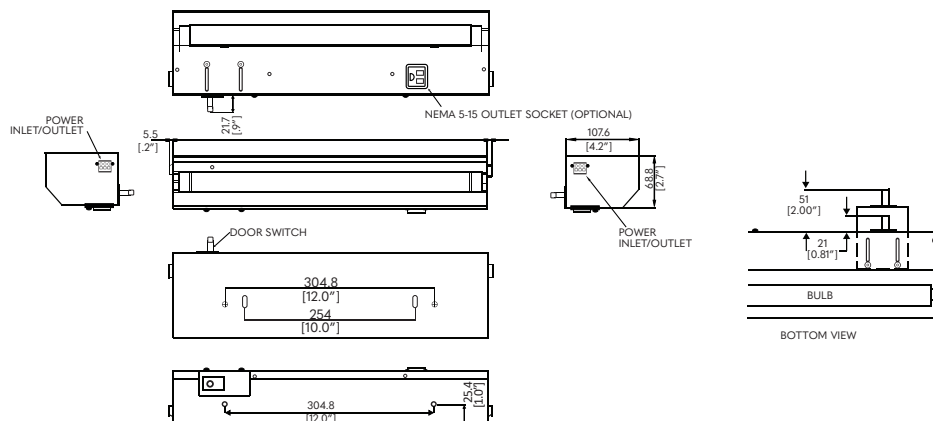
-  The door switch can be extended by a max distance of 1" [25.4mm].
- The supplies spacers can be used to slightly adjust the **vertical** fixing position of the light fixture.

Flange nuts (1/4-20) are provided for top mounting.

When installing a new tube take notice of the power enabled lamp holder (marked) on the fixture and fit the corresponding end of the tube to it. When mounted in an enclosure, this will be located on the right end of the fixture. Make sure to fix end of bulb marked "AC input from this side" to this end and twist bulb a 1/4 turn until it locks into place.

*****Note:** Light will only function with the active end of the bulb mounted in the input end of the fixture.

Electrical connection for 24 VD



Saginaw Control & Engineering
Corporate Office:
95 Midland Rd
Saginaw MI 48638-5770
(989)799-6871
Fax (989)799-4524
(800)234-6871
www.saginawcontrol.com
sce@saginawcontrol.com

PR59700060 / rev. d / 02.26.21

saginaw_instruction_sheet_lighting.pdf

LED Light Fixtures - Instruction Sheet - Unistrut Installation

1. Safety Instructions



Read this instruction sheet before installing the light fixture.



Only specialized personnel are allowed to install, maintain and clean the fixture.



The personnel must ensure that for the duration of the installation, maintenance and cleaning the fixture is disconnected from the electrical supply.

2. Specifications

| Model | Voltage | Power | Hz | Lifespan | Luminous Flux | Max Amp Draw | Outlet Socket | L |
|---------------|-------------|-------|-------|------------|---------------|--------------|---------------|-----------|
| SCE-LF18 | 100-125 VAC | 10W | 50/60 | 35,000 hrs | 750Lm | .105 | Yes | 458 [18"] |
| SCE-LF18NO | 100-240 VAC | 10W | 50/60 | 35,000 hrs | 750Lm | .105 | No | 458 [18"] |
| SCE-LF24 | 100-125 VAC | 10W | 50/60 | 35,000 hrs | 900Lm | .105 | Yes | 611 [24"] |
| SCE-LF24NO | 100-240 VAC | 10W | 50/60 | 35,000 hrs | 900Lm | .105 | No | 611 [24"] |
| SCE-LF1824VDC | 24 VDC | 6W | ----- | 35,000 hrs | 500Lm | .300 | No | 458 [18"] |

3. Electrical Connections

Check the serial label before making any connections to the power supply to ensure that current and voltage ratings are met.

For convenience, the fixture has two power inlet/outlet terminal connectors. Power can be supplied to either of the two.



CAUTION: When one terminal connector is connected to the power supply the other will become LIVE. This allows connecting multiple light fixtures to each other in a daisy chain. The optional NEMA 5-15 outlet socket also becomes LIVE when either of the two terminal connectors is connected to the supply.

The electrical connections to the terminal connector for 100-240 VAC are as follows:

- 1 LIVE
- 2 Earth
- 3 Neutral

IMPORTANT NOTES:



• When connecting multiple fixtures to each other and to the NEMA 5-15 socket it is important that the total current passing through the first light fixture (which supplies the others) **does not exceed 12A**.



- The light fixture does not have an ON/OFF switch.
- The door switch only discontinues the power supply to the tube. All other connectors remain LIVE unless the power supply is disconnected (**even if the tube is off**).

4. Installation

The light fixture is to be mounted indoors in a horizontal position as shown in the picture below and is to be protected from the ingress of dust, water and corrosive agents. Only use the supplied mounting fasteners.



The door switch can be extended by a max distance of 1" [25.4mm].

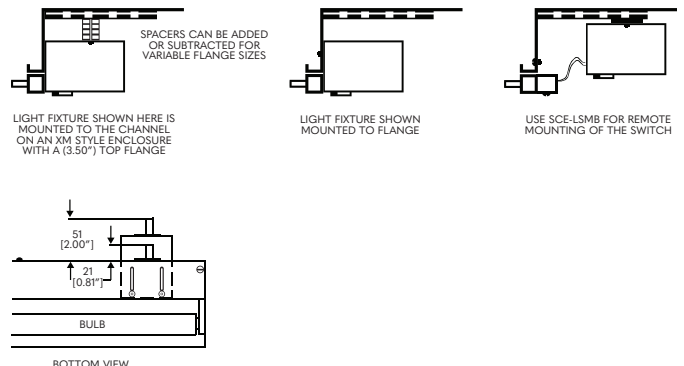
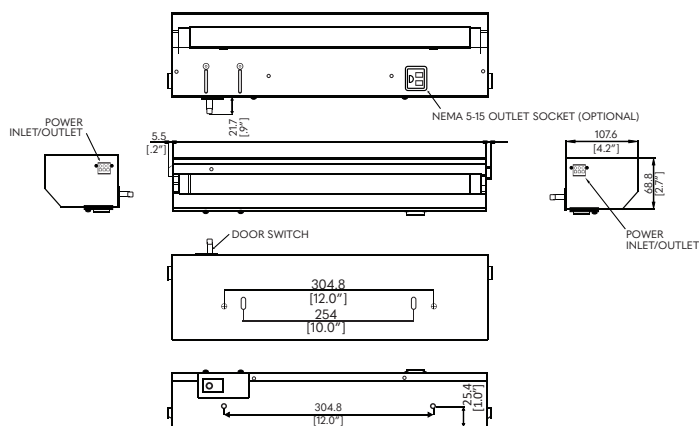
The supplies spacers can be used to adjust the vertical fixing position of the light fixture.

Spring channel nuts (10-32) are also provided for channel mounting.

When installing a new tube take notice of the power enabled lamp holder (marked) on the fixture and fit the corresponding end of the tube to it. When mounted in an enclosure, this will be located on the right end of the fixture. Make sure to fix end of bulb marked "AC input from this side" to this end and twist bulb a 1/4 turn until it locks into place.

*****Note:** Light will only function with the active end of the bulb mounted in the input end of the fixture.

Electrical connection for 24 VDC



Saginaw Control & Engineering
Corporate Office:
95 Midland Rd
Saginaw MI 48638-5770
(989)799-6871
Fax (989)799-4524
(800)234-6871
www.saginawcontrol.com
sce@saginawcontrol.com

PR59700060 / rev. d / 02.26.21

saginaw_instruction_sheet_lighting.pdf