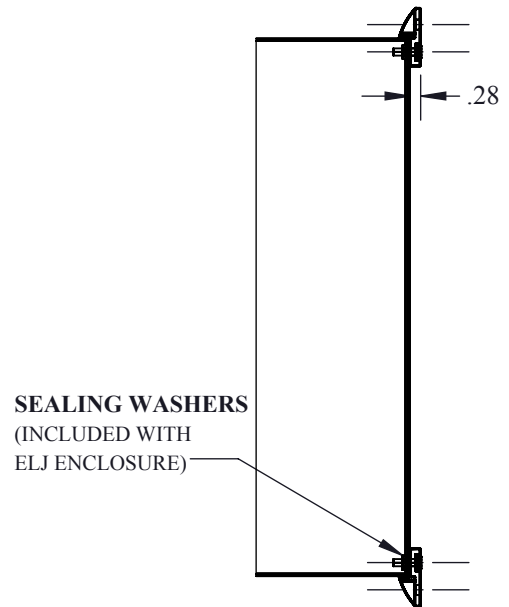
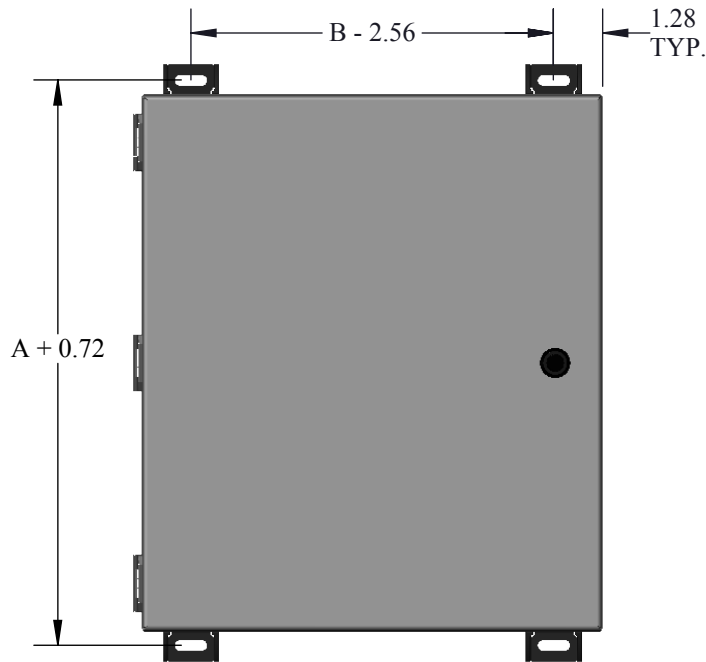
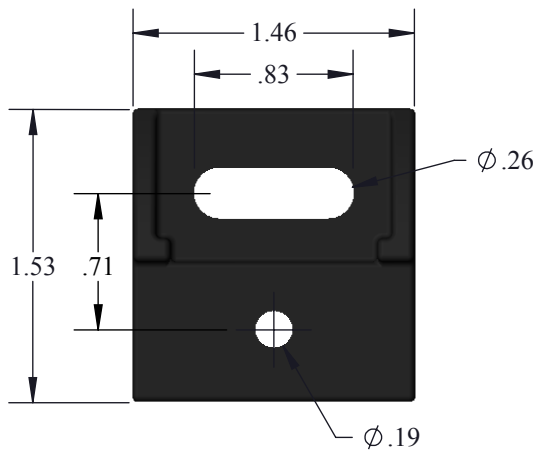


MOUNTING FOOT KIT FOR ELJ ENCLOSURES



SEALING WASHERS
(INCLUDED WITH
ELJ ENCLOSURE)

RIGHT SIDE
(SECTION VIEW)



PERFORMANCE CHARACTERISTICS 33% GLASS REINFORCED NYLON (POLYIMIDE 66)	
ACETIC ACID (DILUTED)	LITTLE EFFECT
ANTIFREEZE	NO EFFECT
BREAK FLUID	NO EFFECT
CHLORINE WATER	LITTLE EFFECT
CITRIC ACID (DILUTED)	LITTLE EFFECT
COLD	-40F
CORROSION RESISTANCE	EXCELLENT
DARK CUTTING OIL CUTTING FLUID	NO EFFECT
GASOLINE	NO EFFECT
HEAT RESISTANCE	>300F
IMPACT	EXCELLENT
MEK	NO EFFECT
MELTING POINT	504F
MOTOR OIL	NO EFFECT
SEA WATER	NO EFFECT
SULFURIC ACID (DILUTED)	LITTLE EFFECT
UL 94	V-2
UV RESISTANCE	EXCELLENT
WEATHER RESISTANCE	EXCELLENT
XYLENE	NO EFFECT
STATIC LOAD	
SCE-ELJMFK	100 LBS.

MOUNTING FEET

**NOT INTENDED
FOR LIFTING.**