

SCE-ETHCK Manual



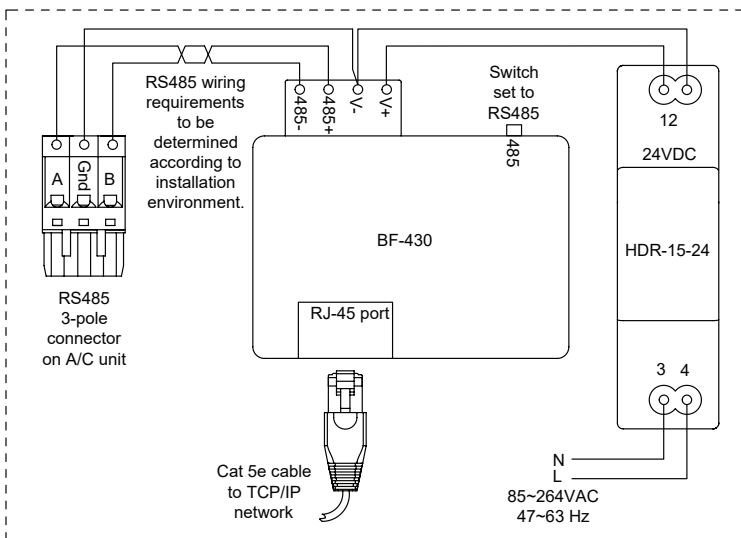
Your Enclosure Source®



Assembly Instructions:
 For "DIN Rail mounting" fix the two DIN Rail clips supplied with this kit as shown below.
 For "Panel Mounting" use the 1:1 drilling template on page 2.

Notes:

- Components to be connected as shown on the wiring diagram.
- Instructions on how to configure this converter can be found on the "BF430 Setup" document (Doc. No. RDTG-2103) which can be downloaded from the Technical Documents section on our website or directly accessed by scanning the QR code below.
- Information and instructions on how to communicate to the unit through MODBUS can be found in the "MODBUS Communication Datasheet" (Doc. No. RDTG2001) which can be downloaded from the Technical Documents section on our website or directly accessed by scanning the QR code below.



Technical Data:

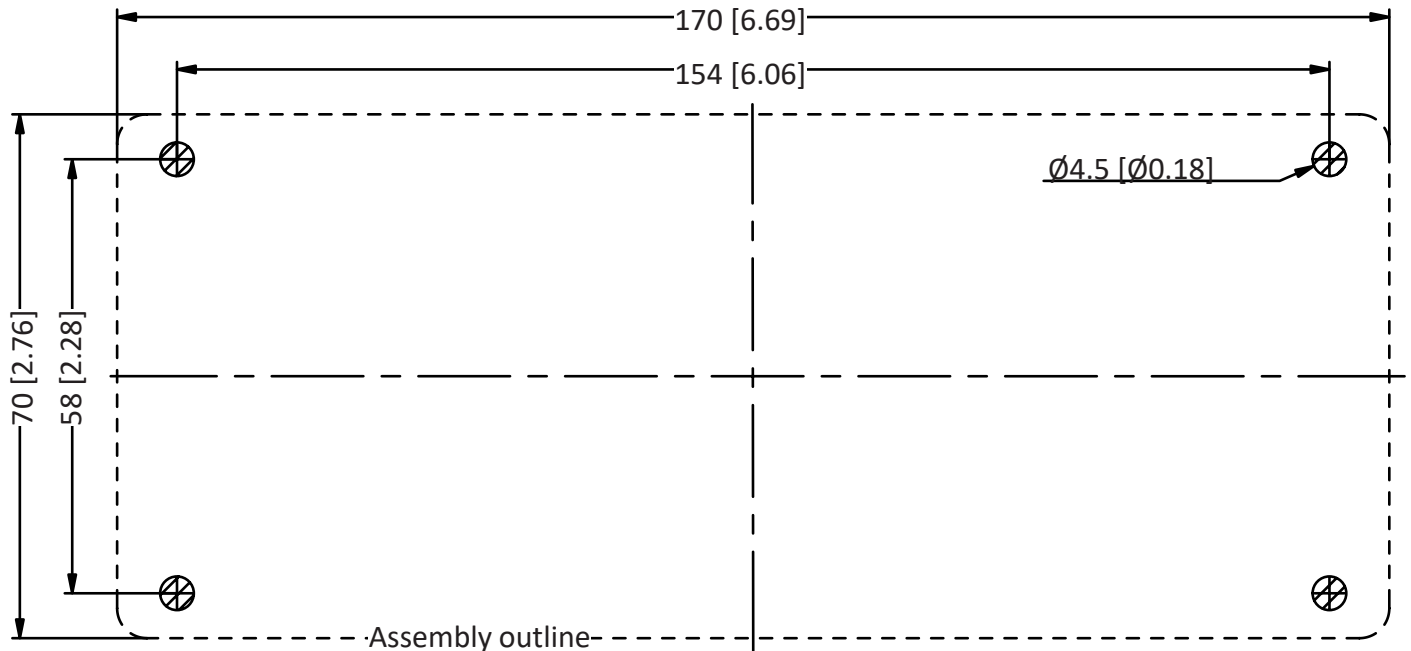
Ethernet..... .10/100Base-T/Tx, Automatic MSI/MDI-x port
 Interface..... .RJ45 jack
 RS485 connection.....Data +/-, Max. cable length 1200m
 Power..... .3 W
 Working temperature.....0~65 °C (32~149 °F)
 Working humidity..... .20~90% RH, non-condensing
 Dimensions (W:H:D).....170x70x65 mm (6.2x2.8x2.6 in)
 Mounting..... .DIN Rail / Panel

Default BF 430 Configuration:

IP mode..... .Static IP
 IP address..... .192.168.168.125
 Subnet mask..... .255.255.255.0
 Default gateway.....192.168.168.254
 Primary DNS..... .168.95.1.1
 Device name..... ."CHiyU"
 Login username..... ."admin"
 Login password..... ."admin"

Drilling template for panel mounted assembly

Dimensions in mm [inch]



This instruction sheet contains information and instructions to enable the user to work safely, correctly and economically on the product. The information, data and instructions contained in this instruction sheet are current at the time of going to the press. We reserve the right to make technical changes to the product in the course of its development. Therefore, no claims can be accepted for previously delivered products based on the information, diagrams or descriptions contained in this instruction sheet. No liability can be accepted for damage and production caused by:

- Disregard of the instruction sheet
- Operating error
- Inappropriate work on/with the product
- The use of non-specified spare parts and accessories
- Unauthorized modifications or changes to the unit by the user or his personnel.

The supplier is only liable for errors and omissions as outlined in the guarantee conditions contained in the main contractual agreement. Claims for damages on any grounds are excluded. The product can only be installed and maintained by technical competent and qualified personnel, using only supplied material according to the supplied instructions. Only specialized personnel are allowed to maintain the product. It must be ensured that during maintenance, the product is disconnected from the electrical supply. This product is not intended for household use. The electric equipment meets the valid safety regulations. One can find dangerous voltages (above 50 V AC or above 100 V DC) at the power supply of this product.

Relevant Links:



Modbus table
<https://www.saginawcontrol.com/instman/modbus-table.pdf>

SCE ETHCK setup
<https://www.saginawcontrol.com/instman/sce-ethck-setup.pdf>

