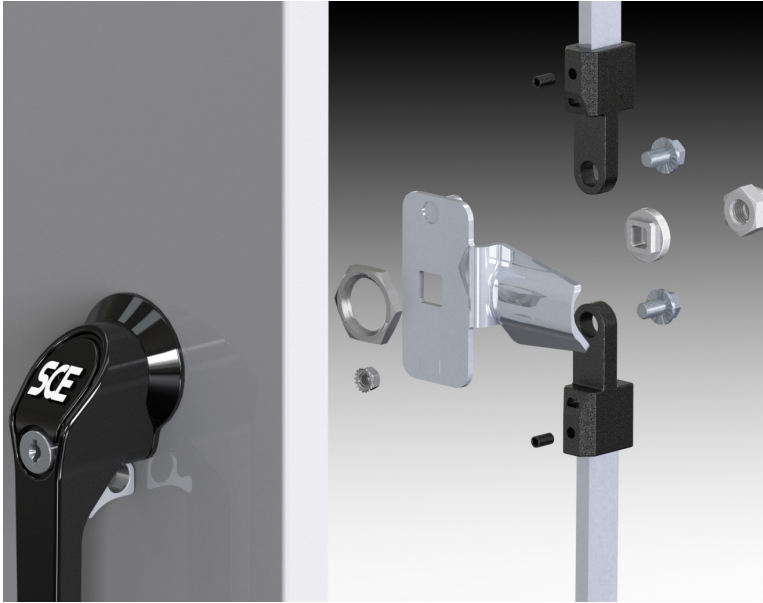


# PADLOCK DOOR HANDLE WITH LARGE DOOR ROD KIT

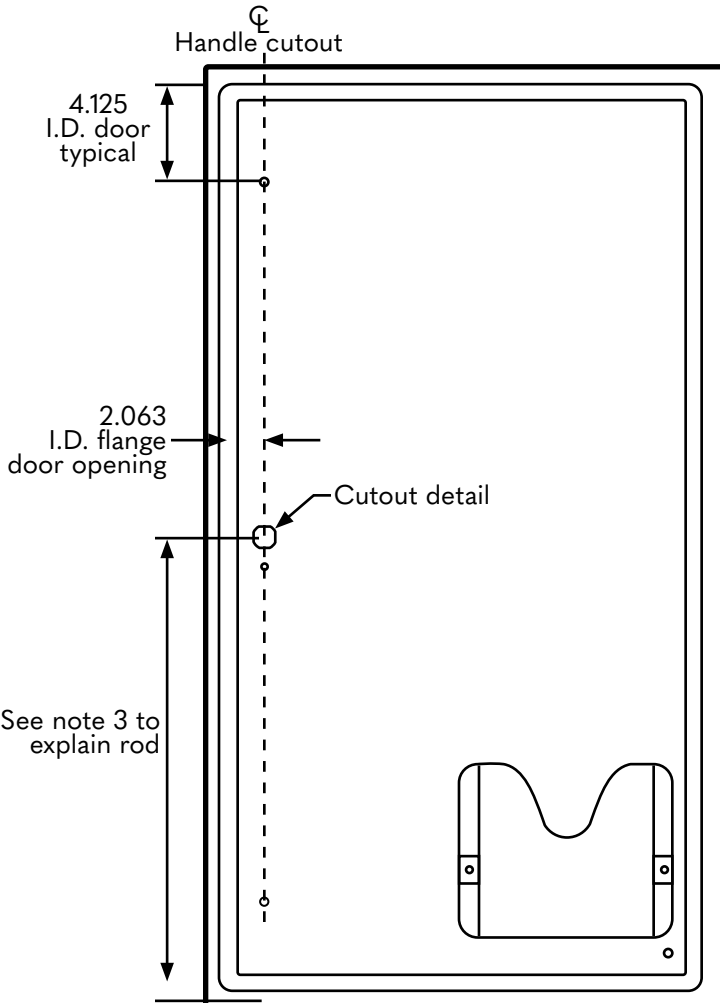
## Optional Rod Kit - SCE-103370

SCE-ARK36 large door rod kit for 2 or 3 point latching  
 SCE-ARK39 large door rod kit for 2 or 3 point latching



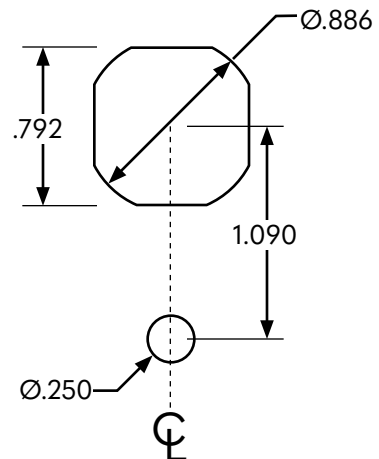
### Installation of SCE door hardware on enclosures that do not have handles, or provisions for handles.

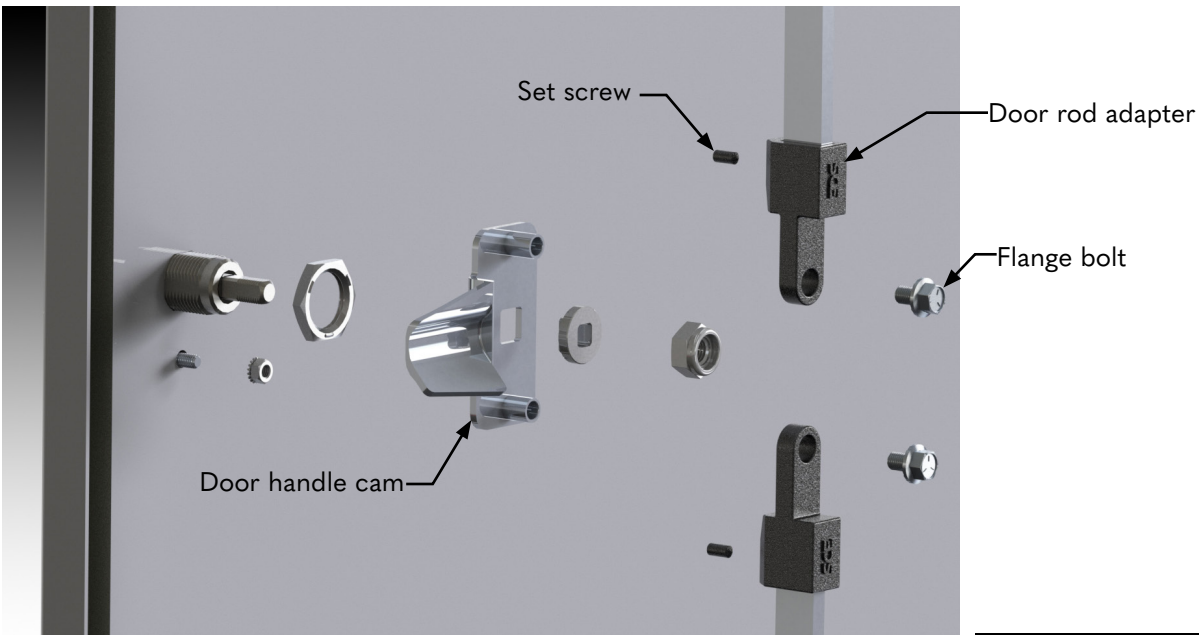
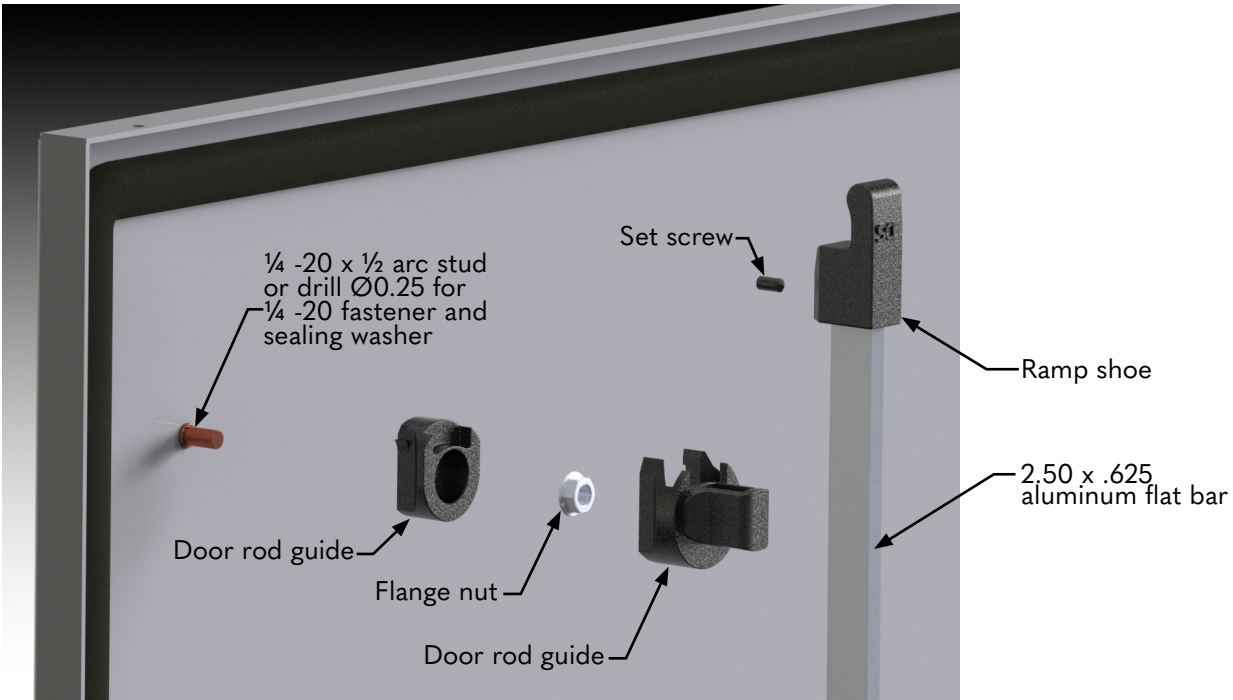
1. Locate and drill handle and rod guide mounting holes.
2. Install rod guides.
3. Measure door opening height.
  - Door rod length =  $(\text{door opening height}/2) - 2.50''$
  - Door rod assembly length =  $(\text{door opening height}/2) + 2.33''$
4. Install door handle and latch plate.
5. Insert door rod through the rod guide before assembling the ramp shoes.
6. Install ramp shoes to the door rods and insert the 10-32 set screw, then attach door rods to the latch plate.



**Door Interior View**

### Cutout Detail





**Recommended Handles**

- SCE-PH5 (5.00 padlockable handle)
- SCE-PCH5 (5.00 padlockable slotted coin proof handle)
- SCE-PCH5-7SC (5.00 padlockable 7mm square coin proof handle)
- SCE-PKH5 (5.00 padlockable key locking handle)
- SCE-PH7 (7.00 padlockable handle)
- SCE-PCH7 (7.00 padlockable slotted coin proof handle)
- SCE-PCH7-7SC (7.00 padlockable 7mm square coin proof handle)
- SCE-PKH7 (7.00 padlockable key locking handle)

