

ROTARY EXR DISCONNECT INSTALLATION



Your Enclosure Source®



NEMA 3R, 4 & 12

THE INTENT & PURPOSE OF THE EXR ENCLOSURE IS:

- 1) Isolate the primary power supply.
- 2) Initiate appropriate PPE for entry.
- 3) Prevent unauthorized entry, disconnect power before entry, and requiring the primary door latch or handle to be closed, latched, and engaged before the disconnect is restored.

SCE-EXR12-30T200

Provisions for Compact Fusible Disconnect with Rotary handle Disconnect 30 to 200 amps Allen-Bradley 194R, Square D GS2, Eaton/Bussmann R9, Siemens CFS models and Socomec Fuserbloc models. Provides protection from dirt, dust, oil and water.

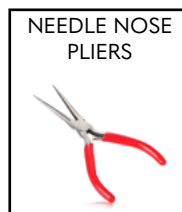
SCE-EXR18-400

Provisions for Compact Fusible Disconnect with Rotary handle 400+ amps Allen-Bradley 194R, Square D GS2, Eaton/Bussmann R9, Siemens CFS models and Socomec Fuserbloc models. Provides protection from dirt, dust, oil and water.



See for modifications required for some Allen-Bradley Operating Handles

For installation of an EXR to a Free Standing Enclosure (Disconnect Enclosure) the following tools will be required:

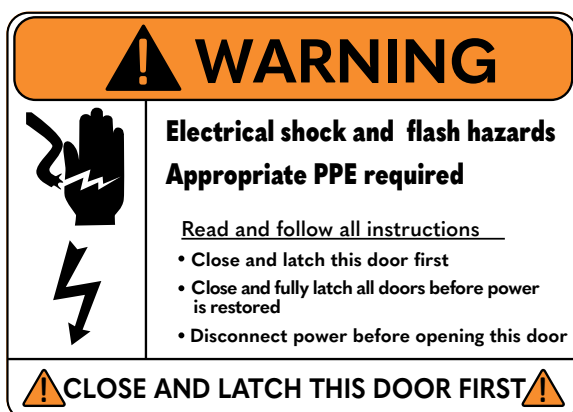


- First drill the mounting pattern into the right side of the main enclosure.
- Next use the disconnect cover plate to line up clearance hole drilling location for quarter turn.
- Disconnect cover plate, quarter turn, and nuts will connect to the upper assembly and hold it in place.



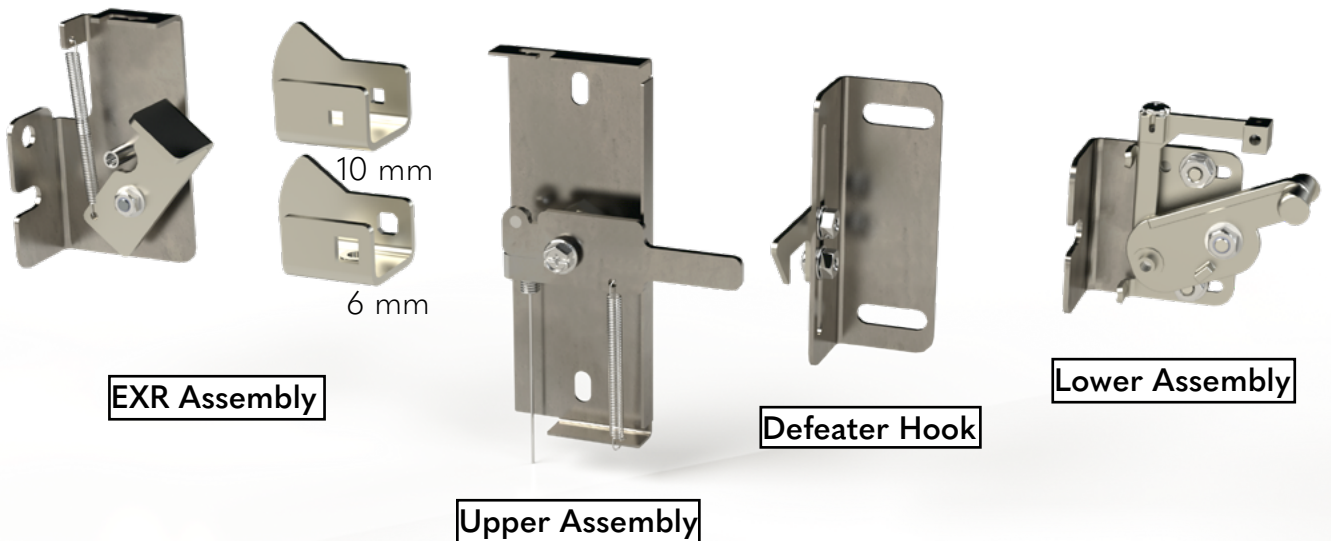
- Apply gasket to the left side of the EXR enclosure outside the holes to ensure a proper seal.
- Use 128550 master bolt pack to install EXR to the main enclosure.

Note: Keyway cutout on mounting provisions to ease installation.



Label part number 130130

WITH THE EXR NOW INSTALLED ONTO THE MAIN ENCLOSURE, THE INTERLOCK CAN NOW BE INSTALLED



MECHANICAL INTERLOCK AND DEFEATER KIT INCLUDED

ATTACH EXR ASSEMBLY

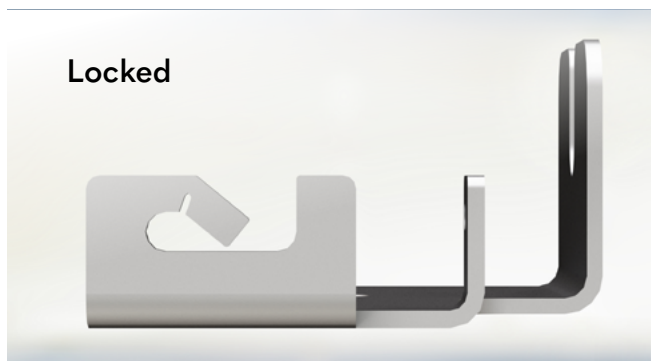
- Attach EXR assembly to stud on inside wall of EXR.
- Install Defeater cable and crimp to lock into place as shown in "Detail C"

DETAIL C

Unlocked



Locked



Standard Option



Allen Bradely NFA70 Option

ATTACH UPPER ASSEMBLY

- Using the PEMs from the disconnect cover plate. Attach the EXR mechanical def eater rod guide with keps nuts.
- Insert quarter turn from outside of enclosure with earth nut.
- Attach EXR disconnect hook arm to quarter turn.
- Install cable and lock into place. Refer: Detail C above.



**UPPER ASSEMBLY
(SHOWING DOOR COMPONENTS)**

ADJUST THE MDV TO YOUR FLANGE SIZE

- A-** 3.50 inch flange is found on freestanding enclosures that are 3 doors and larger. Remove the 8-32 nuts, position at the outer holes.
- B-** 3.00 inch flange is found on most freestanding enclosures and is the preset location.
- Install assembly 3 of the MDV kit with 1/4-20 nut on the stud adjacent to the door handle. Slide it all the way to the flange and tighten.
- Now adjust the MDV. With the disconnect operating handle still in the “off” position, simply pull the cable down so that the def eater strike is horizontal.
- Then tighten the screw to lock in position.



LOWER ASSEMBLY

- Install Disconnect according to Disconnect Manufactures Installation Instructions.

- With the EXR assembly in the "on" position verify the main enclosure door engages the hook and prevents the door from opening.



- Cut rod to length and install



CUTOUT DETAIL MODIFICATIONS

Do not scale

STANDARD CUTOUT

ALLEN-BRADLEY

Catalog Number

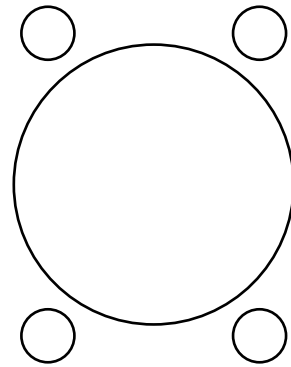
194R-HM4-L

-HM4E-L

-HM4-N2-L

-HM4E-N2-L

STANDARD CUTOUT

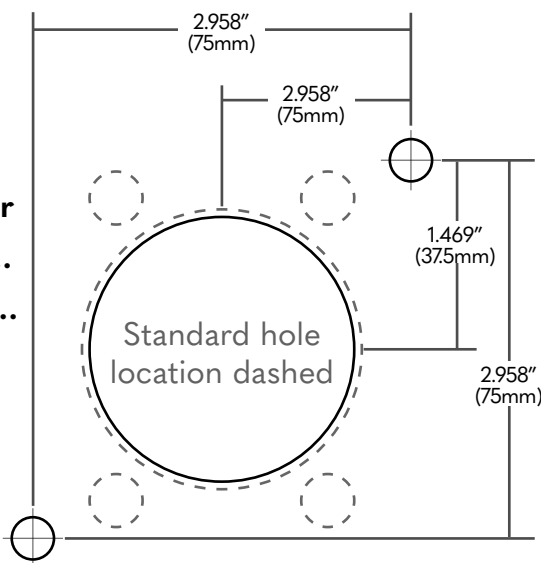


ALLEN-BRADLEY

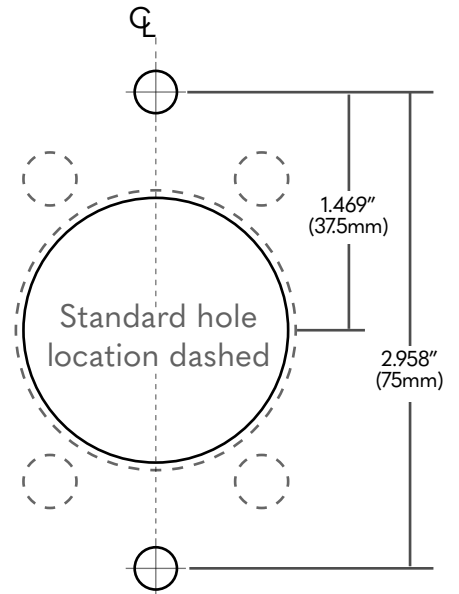
Catalog Number

194R-P...

140U-P...



or



ALLEN-BRADLEY 400 AMP

Catalog Number

194R-HM4

-HM4E

